



BIOFACE8 TT (BT) Facial Biometric Recognition System

CONTACTLESS

SafeEntry via TT Token or APP +
Facial Recognition Attendance



BIOFACE8 TT (BT)

Biometric Recognition System

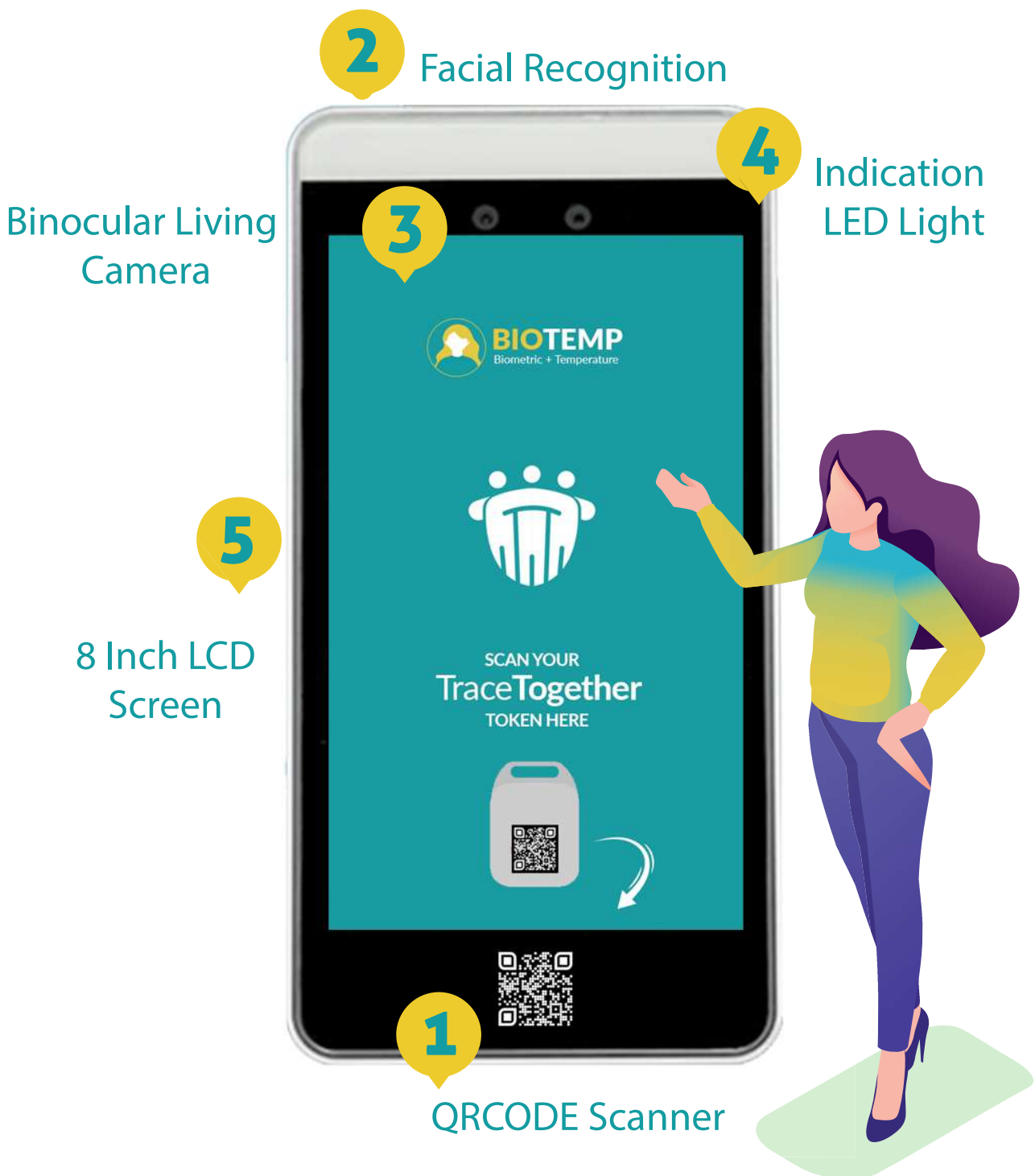
Single Integrated solution for scanning
TraceTogether App or Token
VIA QR CODE reader or Bluetooth.
Facial Recognition with built-in Biometric Attendance.

SafeEntry **Solution for** Safer Together

SafeEntry check-ins
via TraceTogether compulsory

Simple Setup, Ready to Deploy Solution

Get started on the same day



BIOFACE8 TT Features

Facial Recognition

Authorized employee/visitor photos can be uploaded to BIOFACE directly, Via mobile app or Cloud application. Using facial recognition technology only authorized user can be allowed.

Mask Recognition

BIOFACE has the ability to recognize whether the individual is wearing a masks or not. These settings can be adjusted depending on your needs.

Built-in HI-RES Camera Lenses

High-quality HD 2-million pixels built-in cameras to ensure face recognition accuracy as well as advanced infrared thermal imaging for contactless temperature screening accuracy.

Data Storage Local or cloud

BIOFACE stores 100,000 visitor photos along with their temperature reading and the time & date they were taken. Alternatively, it can store up to 1 million screening data without photos.

3-in-1 LED Light Indicator

GREEN: Normal temperatures,
RED: High temperatures/fever, and
WHITE: Indicates the need of facial light assistance in low-light areas.

Built-in Speaker

The result of screening is read out loud by the speaker, allowing for greater clarity and reducing the need for manual guidance.

Built-in QR CODE Reader

Built in QR CODE reader enables scanning of TraceTogether App or token, as well as other bar-code data.

Bluetooth TraceTogether Scanning

BIOFACE detect Bluetooth signals from the TraceTogether (TT) App and TT Token for SafeEntry check-in.

Security



“TimeCentral is the platform you can trust. We take pride in our **ISO 27001** certification because it confirms the breadth and strength of our security practices and our commitment to safeguarding clients’ data”.

BIOFACE8 TT Screening Modes

Mode 1 Facial Recognition

Facial recognition for staff attendance coupled with door access can be configured.

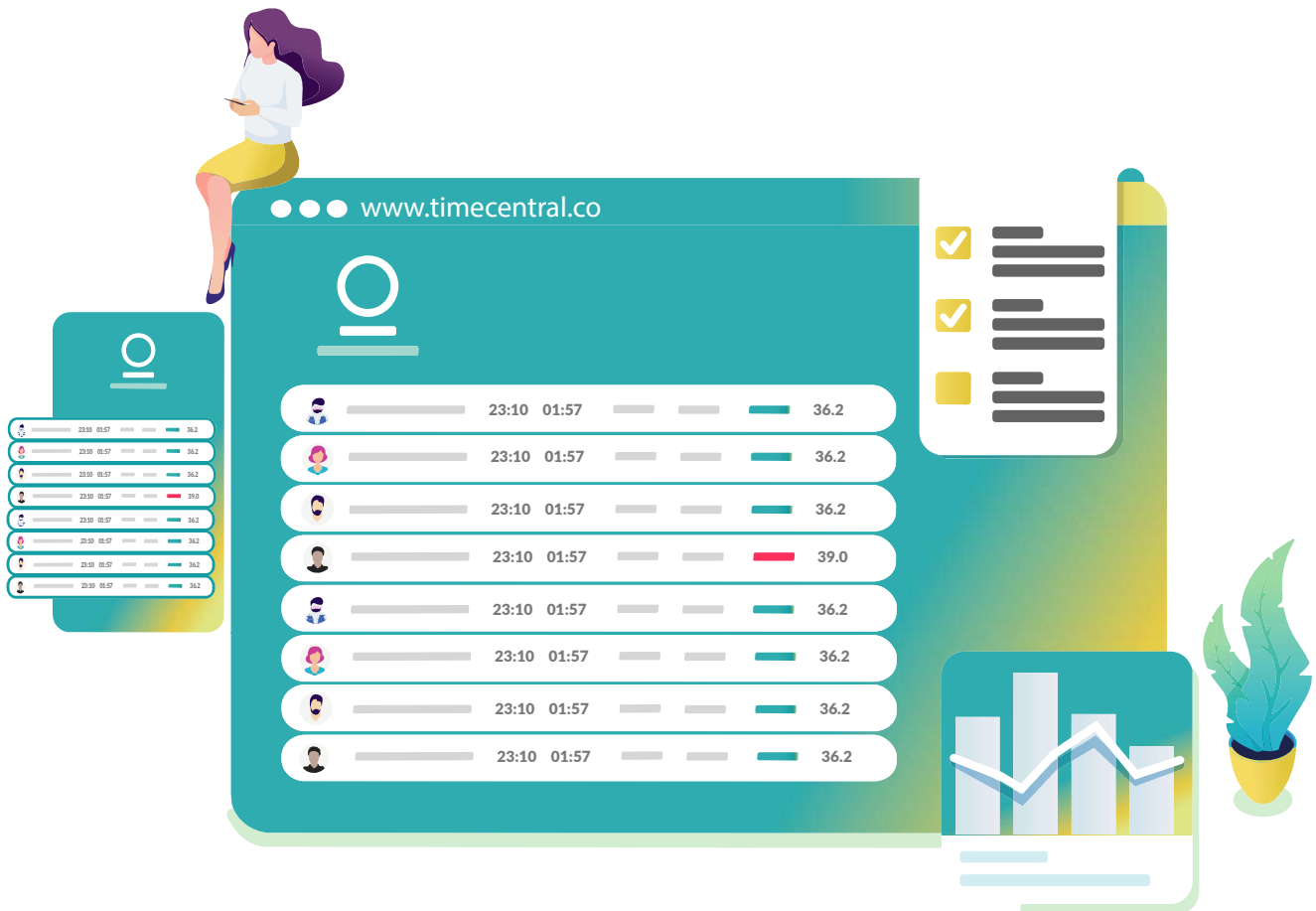
Mode 2 TraceTogether App or Token Scanning + Facial Recognition

Simple compliance with compulsory check-ins of TraceTogether App or token added with facial recognition for staff attendance.

Mode 3 TraceTogether App or Token Scanning

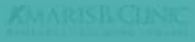
Simple compliance with compulsory check-ins of TraceTogether App or token.

Get daily report via email, or view it on the browser.



Integrated Solution

Integrated Solution – Works with existing door access system, integrate with turnstile, Visitor management systems, HR System, Time Management System, Student Management System, etc.



Client Success Stories

More than 50k Scans daily

Trusted by Restaurant, Cafe,
hotels, Construction, clinics,
Gym & fitness, Schools,
Tuition, retail, building,
Science park, Dormitories,
Engineering, etc.



Screen	Size	8 Inch, IPS LCD Screen
	Brightness	350 LU
	Resolution	800*1280HD Screen
	Resolution	200W*200W
	Camera Quantity	2
	Type	200W (RGB Camera) ; 130W (Infrared Camera)
Camera	Aperture	F2.0
	Focal Length	6mm
	White Balance	Automatic
	Wide Dynamic	Support
Core Parameters	Cpu	4 Cores, 1.8ghz
	Device Interface	2GB Memory, 8GB Storage
	Audio	1 Audio Output (Line Out)
	Video	HDMI2.0 Type-A Interface 1
	Serial Communication Interface	1 RS232 Interface
	Relay Output	1 Relay Interface
	Wigan Output	1 Wiegand Output Interface, Supports Wiegand 26 And 34
Interface	Network Interface	1 RJ45 10M / 100M Adaptive Ethernet Port, WIFI
	Face Detection	Supports Detection And Tracking Of 5 People At The Same Time
	1:N Face Recognition	Under The False Recognition Rate Is 3 In 10,000, The Recognition Accuracy Rate Is 99.7%
Features	Stranger Detection	Support
	Identify Distance Configuration	Support
	Living Body Detection	Support

Working environment

Protection Class	IP42, Certain Dust, And Water Resistance
Power Supply	DC12V (±10%)
Working Humidity	10% ~ 90 %
Power Consumption	10W MAX
Device Size	240*120*24 (Mm)
Protection class	IP42, certain dust, and water resistance
Power supply	DC12V (±10%)

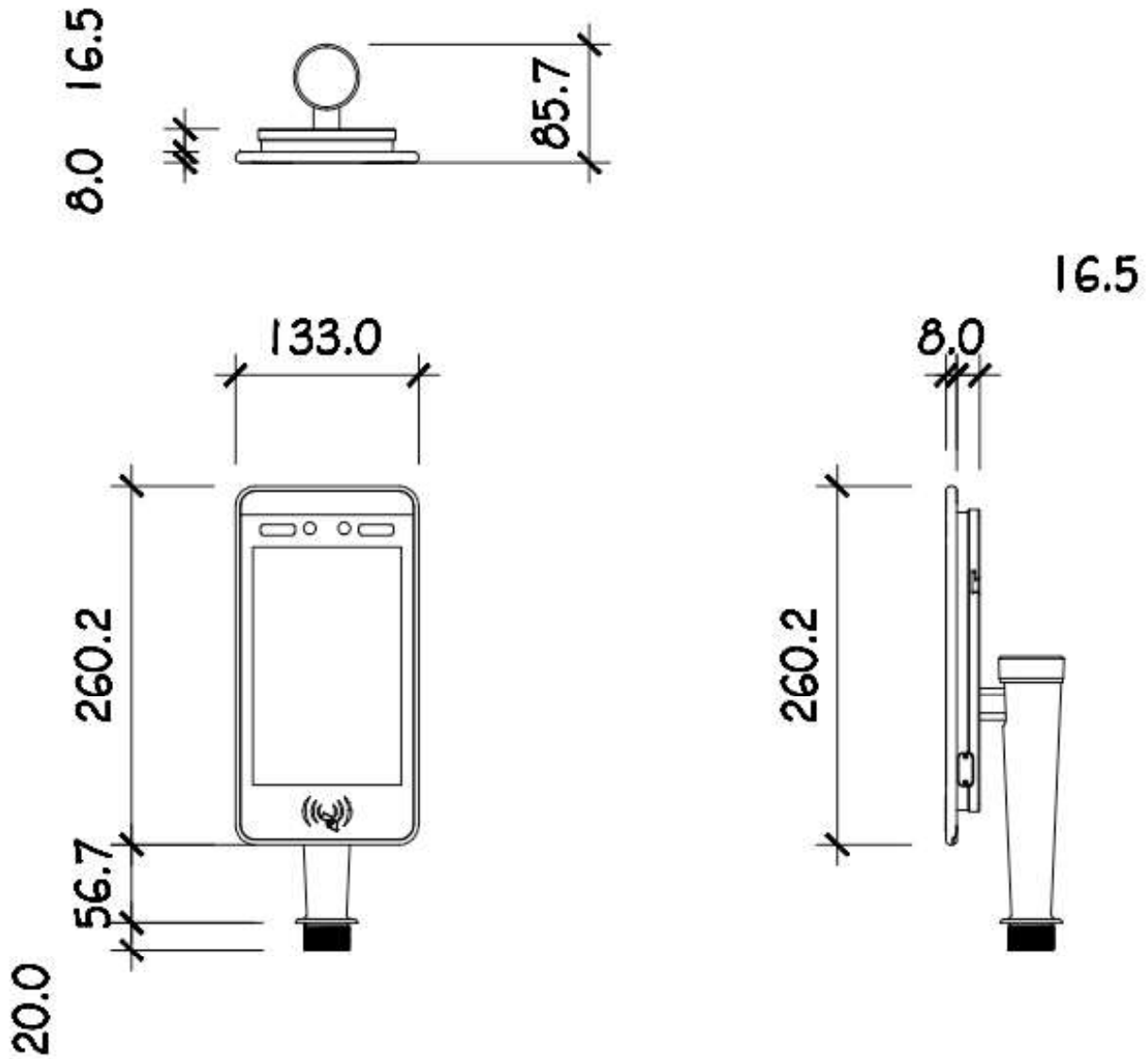
General Parameters

Power consumption	10W MAX
Device size	240*120*24 (mm)
Weight	≈1.5kg

Pigtail Wiring Information



Dimension **BIOFACE8 TT**



Installation Options:

- 01. Wall mounted
- 02. Desktop Stand

- 03. Floor Stand
- 04. Turnstile

Dedicated Support



Our team has extensive knowledge of the BIOFACE hardware and TimeCentral cloud platform. If you need any technical support and the solutions provided in the user manual is insufficient, you can call our agent. [+65 62237996](tel:+6562237996) or email to our device support help desk at support@timecentral.co to get the answers Monday to Friday 9 am to 6 pm. If there is an immediate need for replacement for urgent applications, our agents will get you a free replacement during the 1st year and a rental replacement set thereafter.



www.timecentral.co +65 68372336

keepsafe@timecentral.co